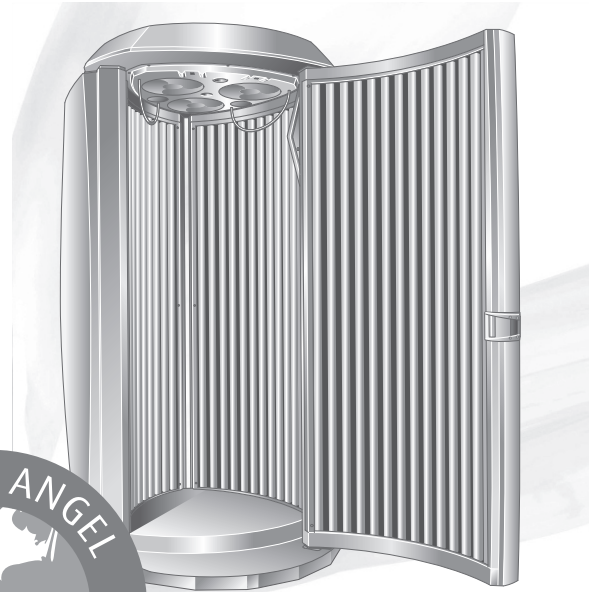
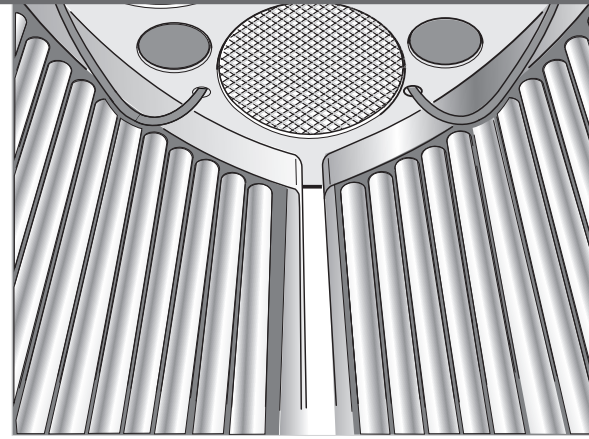


BEAUTY ANGEL



■ OPERATING INSTRUCTIONS



BEAUTYANGEL

WARNING!

This device is designed for use with NON-UV emitting lamps only!

Use of UV lamps, or any lamps other than those specified for use in this device, may cause serious injury and is considered a violation of FDA regulations including:

Code of Federal Regulations Title 21 CFR1040
TITLE 21--FOOD AND DRUGS
CHAPTER I--FOOD AND DRUG ADMINISTRATION
DEPARTMENT OF HEALTH AND HUMAN SERVICES
SUBCHAPTER J--RADIOLOGICAL HEALTH PART 1040
PERFORMANCE STANDARDS FOR LIGHT-EMITTING PRODUCTS

Violation of this code may subject the violator(s) to litigation, fines, and possible imprisonment, etc.

Furthermore, adulterating this device in any way (including relabeling or using UV lamps etc.) will void the ETL listing of the device. Such action will cause the device to be considered out of compliance with federal, state, and local regulations.

If you have any questions regarding lamp replacement procedures, proper use, etc please contact the manufacturer directly at 1-800-643-0086.

Á

Ó^&ě•^Áe|Á @•&eÁ&çã Á&e Á^Ád^} [~•Áe) áÁ~ àb&Á•^!•Á Áã \ ĚÁ
e|Á•^!•Áe^Á!•^áÁ Á& }• |Á ã@Á @•&e) Á!q!Á Á•e^Áá@!^Á
e^Áe ^Á& } &!}•Á!Á~^•c|}•Áe•[&e^áÁ ã@Á•^Á ÁçÁ& ĚÁÁ

Á

Ó~•q^••ÁÁ^ç&Á] ^!e|Á @~|áÁ!| çã^ÁÁq^Ác| |e) e|} Á-Á@Á
•^•c{ Á Áe|Á•^!•Á!q!Á Á&c e|Á•^Ě|Áe^Á^e|Á e) q*•Áe) áÁ
&e c|} e^ Á {!| e|} &|} e) ^áÁ ã@Á!q!Á Á•q*Á^ç& ĚÁÁ

Á

Á

Á

Á

Á

Á

EUe^ (^) •Á^•e|á•Ác|^&c^áÁ!~!|{ e) & ĚÁç&Á [oě^) Áçe^ e^áÁ• ÁçÁçÁç [áÁBÁ]•*ÁÁ{ q̄ãd e|} ĚÁ@Á!| á~&eÁ
{ | oě c) á^áÁ Á^e|ĚÁ!^ĚÁ!^c^} dĚ!Áe|} |•^Áe) Áá^e^Á!Á!Á)••ĚÁ/Á~!|{ e|} Á!| çã^ÁÁÁ [oěÁ á•c|Á!Áç&ÁÁ!| { ÁçÁ}•^áÁ
| @•&e) Á!Á @!Á @e|e^Á!| {••q̄} e|ĚÁç&ÁÁ• |oÁ q|Áe^ Á&| |áq* Á!qÁ Á!^ĚÁ•e^ÁĚÁ) ^ç&Á~!^) &^ĚÁá dĚÁe^!&ÁĚÁ•c|ÁĚÁ dĚÁ
V@!ÁÁÁ!Á~ e|e c^Á-Á• |oĚÁ

Contact Information

Manufacturer: JK-Products and Services

1 Walter Kratz Drive
Jonesboro, AR 72401
USA
Tel.: 800.643.0086
Fax: 870.935.3618

Customer service / Technical service (Spare part orders for components):

JK-Global Service
1 Walter Kratz Drive
Jonesboro, AR 72401
USA
Tel.: 800.445.0624
Fax: 870.935.9046
E-mail: support@jkamerica.com
Web: <http://support.jkamerica.com>

Lamps and consumable parts:

JK-Light
1 Walter Kratz Drive
Jonesboro, AR 72401
USA
Tel.: 877.786.5267
Fax: 870.268.1202
Web: <http://www.jk-light.com>

DANGER!



Failure to observe these instructions:

- can result in serious injury and death,
- can result in damage to the device and the environment.

Read these instructions carefully before putting this device into operation.

Please observe the instructions and the code of conduct required to operate the device safely.

Please make the instructions and additional information from the manufacturer available to the personnel at their workplace.

Copyright

The copyright remains with JK-Holding GmbH.

The contents may not be partially or completely duplicated, distributed or utilized for competition purposes without authorization or disclosed to other parties.

The right to make technical changes in regard to the figures and information contained in this instruction manual is reserved!

Table of contents

Contact Information	2
Table of contents	3
1 General	5
1.1 Product Claims, Expectations, and Usage	5
1.2 Definitions	5
1.3 Symbol explanation.....	6
2 Information for the operator	7
2.1 Intended use	8
2.2 Foreseeable misuse.....	8
2.3 Operator's obligations	8
2.4 Personnel training	8
2.5 Scope of delivery.....	8
2.6 Transport, assembly and setup.....	9
2.6.1 Assembly	9
2.6.2 Ventilation	9
2.6.3 Setup location	10
2.7 Installation and Setup.....	10
2.8 Operation and maintenance.....	10
2.9 Decommissioning.....	11
2.10 Storage	11
2.10.1 Environmental regulations – disposal of lamps and batteries	11
2.11 Export.....	11
2.12 MP3 music (optional)	12
2.13 Instruction signs on the device.....	12
2.14 Technical modifications.....	12
2.15 Manufacturer's Warranty	13
2.16 Warranty and liability exclusions	13
3 Description	14
3.1 Scope of delivery.....	14
3.1.1 Optional.....	14
3.2 Equipment.....	14
3.3 Device description.....	15
3.4 Accessories (optional).....	16
3.5 Function description	16
3.7 VibraShape.....	17
3.8 Description: vibration programs	17
4 Operation	18
4.1 Safety information for the user	18

4.1.1	Light Emitting Device.....	18
4.1.2	VibraShape (Vibration plate)	19
4.2	Application times	21
4.3	Application tips	21
4.4	Operating overview	23
4.4.1	Navigation	24
4.5	Functions.....	25
4.6	Start.....	26
4.7	Connect MP3 player.....	27
5	Cleaning and maintenance	28
5.1	Safety information for cleaning and maintenance	28
5.2	Faults.....	29
5.3	Cleaning	29
5.3.1	Disinfection.....	29
5.3.2	Cleaning the surfaces.....	30
5.3.3	Lamps.....	30
5.4	Cleaning plan	31
5.5	Maintenance.....	32
5.5.1	Acrylic panel.....	32
5.6	Maintenance plan	33
5.7	Instructions for replacing the lamps.....	34
5.7.1	Beauty Angel lamps.....	34
5.7.2	Starter.....	35
5.8	Clean or replace lamps in the door.....	35
5.9	Clean or replace lamps on the side panels	37
5.10	Clean or replace Ambient Light	39
6	Technical data	40
6.1	Power rating, electrical specifications and noise level.....	40
6.2	Dimensions.....	41
6.3	Lamp sets.....	42
6.3.1	BEAUTY ANGEL	42
6.3.2	Accent lighting	43
6.4	Spare parts and accessories	43
7	Appendix	44
7.1	Signs and stickers on the device	45

1 General

1.1 Product Claims, Expectations, and Usage

The Beauty Angel utilizes a 3-step system to achieve the desired result.

STEP 1: VibraShape Technology: Platform Based, Powered Therapeutic Massage, Muscle Stimulation and Exercise Technology.

STEP 2: Full Body, Controlled Light Energy.

STEP 3: Proprietary Skin Care Products. Vitamin Enriched and Aloe Infused for Maximum Skin Mosturization.

A recommended treatment consists of 2 to 3, 12-minute sessions per week over a period of approximately 90 days.

Following the treatment, weekly sessions are sufficient to maintain the effects. The performance is supported by the use of skin care products, proper hydration, diet and exercise.

*These statements have not been evaluated by the FDA (Food & Drug Administration). This product is not intended to treat, cure, prevent, or diagnose any disease or illness. The information provided is not a substitute for advice from a licensed physician or other healthcare professional. Actual results will vary according to skin type, usage, genetic influences, diet, exercise, lifestyle, etc. There is no guarantee of results.

THIS DEVICE EMITS NO UV-LIGHT!

However, prior to use, please use caution and evaluate any medications, creams, etc that may produce a photosensitive reaction.

1.2 Definitions

Operator

People who provide devices to users on a commercial basis. The operator is responsible for the orderly operation of the device as well as the compliance with the maintenance intervals.

User

A person who uses the device at a commercial location.

Personnel

People who are responsible for the operation, cleaning as well as general maintenance work and who instruct the users in the operation of the devices.

Electrician

A person with suitable professional training, knowledge and experience which enables them to identify and avoid the dangers which can arise from working with electricity.

Authorized, trained and qualified personnel

Qualified staff from an external company who have been trained and authorized by the manufacturer for assembly and maintenance work with specific devices.

1.3 Symbol explanation

The following types of safety notices are employed in these operating instructions:

DANGER!



Type and source of hazard

This safety notice indicates the existence of a direct danger to body and life.

DANGER!



Type and source of hazard

This safety notice warns of dangers to body and life which are caused by electricity.

WARNING!



Type and source of hazard

This safety notice warns of machine, material or environmental damage.



NOTE:

This symbol does not identify any safety notices, but provides additional information to better understand the processes.

2 Information for the operator

2.1 Intended use

BEAUTY ANGEL

This device is intended to temporarily firm and tone the appearance of the muscles and body.

Some people are not permitted to use the device, see page 18.

The device may not be used by people with reduced physical, sensory or mental capabilities or who have insufficient experience and/or knowledge without supervision. A person responsible for their safety must ensure, either by supervision or instruction, that the device is used correctly and safely. If there is any doubt, use of the device by such categories of persons is forbidden!

This device is only to be operated with the specified lamps or their equivalent. The usage times given in these operating instructions are valid only for the specified lamp set.

Any other use shall be considered improper. The manufacturer cannot be held liable for damage or injuries resulting from this. The operator bears the sole risk for this.

Proper use also includes compliance with the manufacturer's instructions and its operating and maintenance conditions. The device may only be operated, maintained and repaired by persons familiar with these tasks and who have been informed of the dangers involved.

VibraShape Function

The vibration base may also be used during the light application. The vibration base is used for muscle stimulation of healthy people. Proper use of the vibration base may temporarily increase local blood circulation, relax muscles locally, relieve minor aches and pains, and muscle spasms.

The vibration base is not intended to replace treatment by a licensed physician or medical professional.

The vibration plate should not be used by pregnant persons or by people with diseases and limited medical conditions. A list of the conditions that prevent use of the vibration plate can be viewed on page 18.

2.2 Foreseeable misuse

The following uses of the device are explicitly prohibited:

- Multiple people may not use the device at the same time.
- People with a body weight of more than 300 lbs may not use the device.
- Persons taking medication that increase light sensitivity should not use this device. Review medication listings and labeling prior to use.
- Extending the specified application times can place excessive demands on the skin due to the emitted light. A minimum period of 24 hours should lapse between each 12 minute treatment.
- No other persons are permitted in the vicinity of the cabin when using the device.
- ONLY NON-UV lamps may be used in this device!

2.3 Operator's obligations

As the operator you are responsible for providing clear operating, cleaning and maintenance instructions. You are also responsible for ensuring the intended use and the proper operation of the device by means of training and instruction for the personnel and provision of all appropriate safety devices (including eyewear).

Your operating instructions must enable the safe use and safe operation of the device and take into account the characteristics and expertise of your company and also the national work safety and environmental protection regulations.

2.4 Personnel training

As the operator you are obliged to train your personnel and instruct them in the established legal and accident prevention regulations. Ensure that your personnel have understood and observe these operating instructions. This applies in particular to the:

- information in 'Intended use' and 'Foreseeable misuse'
- safety instructions in the 'Operation' chapter
- operating instructions
- cleaning and maintenance instructions

Please make the instructions and additional information from the manufacturer available to personnel.

Regularly check your personnel's safety consciousness and awareness of the risks, taking into account your operating instructions.

Please ensure that the cleaning intervals are complied with, in particular cleaning after every application.

Please ensure that your staff provide your customers with appropriate advice, in particular regarding application times, possible risks and the operation of the device.

2.5 Scope of delivery

Information regarding the scope of delivery is contained in the 'Description' chapter on page 15.

2.6 Transport, assembly and setup

The device is delivered and installed by trained representatives of JK Products & Services or its distributor. Only persons who have been trained and are authorized to perform these functions may work with the equipment.

As an operator you are responsible for complying with the on-site ventilation and electrical requirements at the setup location, see page 10.

2.6.1 Assembly

DANGER!



Personal danger due to electric shock or burns!

- The assembly and electrical connection must comply with local and national regulations.
- The electrical installation must have an easily accessible disconnect or breaker that complies with overvoltage category III.
- Assembly, installation, upgrading or repair of the device may only be carried out by specially trained and instructed personnel.

Information regarding the disassembly and assembly of the device is available in the separate assembly instructions. These assembly instructions are intended solely for use by the manufacturer's service personnel or by qualified specialists authorized by the manufacturer.

2.6.2 Ventilation

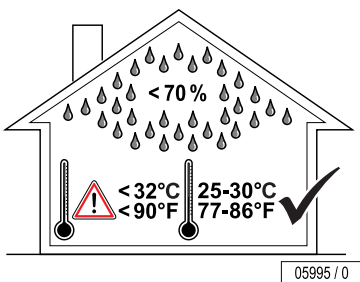
WARNING!



Risk of overheating due to air flow problems!

Operating faults possible.

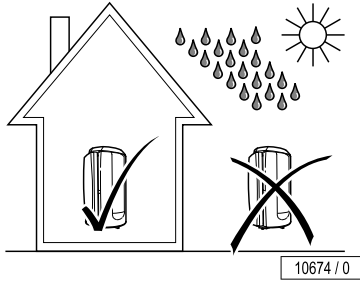
- Do not change, obstruct or block the air inflow and outflow to the device or make any unauthorized changes to the device. The manufacturer shall bear no liability for damage or injuries resulting from such actions.
- Observe the ventilation system data.
- Do not set up and operate the device on the transport pallet!



Data regarding the air supply and ventilation planning is available in the planning manual (<http://support.jkamerica.com>). You can also obtain this data from your distributor or the customer service department (see page 2).

2.6.3 Setup location

The device may not be operated outside.



2.7 Installation and Setup

The initial installation and setup is performed by the manufacturer's own service personnel or by an authorized dealer/distributor. The device is only released to the owner when installation is complete and the system is ready for use.

If the device has not been used for a long period of time then it must first be inspected by our customer service department or by another authorized company before being put back into operation again.

The device is operated with an external timer.

A timer must be attached so that the device automatically switches off by reaching <110 % of the selected running time even if the controller fails. This device's running may not be extended. Safeguards, including the timer and equipment software of the the unit, are designed to prevent operation beyond the prescribed time.

Depending on the local utilities company, the devices can transmit interference to the power system of the building that impair the audio-frequency remote control system used by the utility company. This can, for example, interfere with the function of night-storage heaters.

If faults occur due to the operation of the devices, then the operator is responsible for the installation of an audio frequency blocking device in the buildings electrical installation. Please contact your electrician. The electrician is familiar with the technical connection conditions of your local utility company so that the audio-frequency blocking device can be matched to the power system of your utility company.

2.8 Operation and maintenance

Error-free operation, maintenance and service are required in order to ensure that the health and safety of the users is not endangered during operation and to ensure that the device is in a fault-free operating condition.

Please observe the information and recommendations provided in these operating instructions. Please ensure that the intervals for the inspection, maintenance and service are complied with. Please ensure that the lamps are replaced after the specified usage time.

Unauthorized modifications and changes to the device and its control unit are prohibited. Failure to comply with this voids the warranty! Operation of this system beyond the scope outlined by JK Products & Services relieves JK from any liabilities resulting from the unapproved operation.

2.9 Service and Decommissioning

The device must be disconnected from the power supply in order to temporarily or permanently remove the system from service.

The legal requirements regarding disposal must be observed when permanently decommissioning the device.

2.10 Storage

Store the devices in a dry, frost-free location with a stable temperature. Once the device has cooled off, pack it in plastic wrapping to protect it against scratches.

2.10.1 Environmental regulations – disposal of lamps and batteries

Beauty Angel lamps contain fluorescent materials and other waste products containing mercury. Batteries contain heavy metal compounds. Some areas of the USA and Canada have specific regulations regarding disposal of these waste. Please check the laws in your area and act in accordance with municipal waste regulations. Please retain proof of proper disposal of lamps and batteries.

Your local regulatory agency can assist you with the disposal of lamps and batteries.

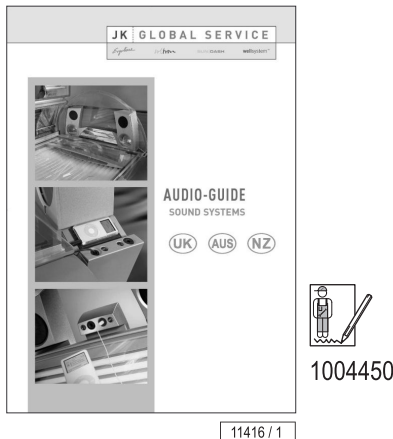
- Report the number of lamps and batteries to your local agency by telephone or in writing.

The regulatory agency can provide you with a delivery point for your lamps or will take care, in conjunction with a disposal company, of the collection and proper disposal of the lamps (Fees for this may apply). Please contact your code enforcement officials for more information regarding laws governing disposal of these components in your area.

2.11 Export

This device is intended for the USA and Canadian markets only and must not be exported to or operated outside the USA or Canada! The manufacturer does not accept any liability in case of non-observance! It is emphatically emphasized that non-compliance with this instruction may result in high liability risks for the exporter and/or the operator.

2.12 MP3 music (optional)



If an MP3 player is used privately during the application, then this does not constitute a public performance in the sense of copyright law, so that no reporting or fee obligation exists on the part of the studio operator towards the organization responsible for issuing the commercial performance rights.

For the public use of MP3 music files, the same legislation applies as for all other music sources: As a studio operator/studio owner, you may only play original Audio-CDs, MCs, audio-DVDs etc., on your premises and/or play music via the 'MP3-music modules' which are provided in the professional devices, if you have acquired the necessary stage rights. You can acquire these from the organization responsible for issuing commercial performance rights in your country (for more information please contact the RIAA). Copy-protected audio-CDs, MCs, audio-DVDs etc., as well as titles contained on these media, may not be converted to MP3 format and/or saved on HDD, audio-CDs, MCs, audio-DVDs etc., if software is used to do this, which disables or circumvents the copy-protection contained on the media.

You must be ready at any time to prove your granting of stage rights by presentation of the appropriate stage rights certificate when requested by a representative or another controlling body of the responsible organization.

As long as you observe all the listed instructions and have acquired the necessary rights for use of the 'MP3-music-module', you may convert your original audio-CDs, MCs, audio-DVDs etc. into the MP3 format required by the player. Only one copy (duplicate or MP3 format conversion) of lawfully acquired audio-CDs, MCs, audio-DVDs etc. may be made. The source media (original media) must be retained and may not be used simultaneously.

Further details can be found in the information brochure 'Audio Guide' available in German and English on the Internet at www.jk-global-service.de.

2.13 Instruction signs on the device

See Appendix page 44.

2.14 Technical modifications

The device has been constructed in accordance with the current state-of-the-art technology and the applicable safety regulations. The illustrations and specifications on these instructions are subject to technical modifications which are required in order to improve the device.

Unauthorized modifications and changes to the device and its control unit are prohibited. Failure to comply voids the warranty and ETL/Intertek seal! Use only original spare parts. Failure to comply voids the and ETL/Intertek seal!

2.15 Manufacturer's Warranty

On behalf of customers who have purchased a Beauty Angel device for private or commercial use from one of our sales partners, JK Products accepts liability for any defects that arise in accordance with the following regulations; consumable parts such as lamps and starters as well as the acrylic panel are not covered by the warranty.

The guarantee stipulates that JK Products will rectify any defects within a time period predetermined by the repair or exchange of the defective part.

Claims made in accordance with this warranty may be filed with JK Products or the sales partner from whom the product was purchased on presentation of the warranty card; this warranty is valid for a period of 12 months for parts / 90 days for labor from the date of purchase.

This does not affect the rights of the customer under the existing warranty with regard to any claims that the customer might have in accordance with the contract of purchase.

2.16 Warranty and liability exclusions

Warranty and liability claims for personal injury and property damage are excluded if they are the result of one or more of the following causes:

- improper use of the device; claims made beyond the intended use.
- improper assembly, commissioning, operation and maintenance of the device;
- operating the device with faulty safety equipment or improperly attached or non-functional safety and protective equipment incl. warning signs;
- not complying with the information in the operating instructions regarding transport, storage, assembly, commissioning, operation and maintenance;
- the use of untrained personnel;
- unauthorized changes to the device or the control unit;
- inadequate monitoring of parts subject to wear;
- repairs carried out improperly;
- the use of non-original spare parts;
- emergencies and disasters resulting from the influence of foreign materials or "acts of God".

3 Description

3.1 Scope of delivery

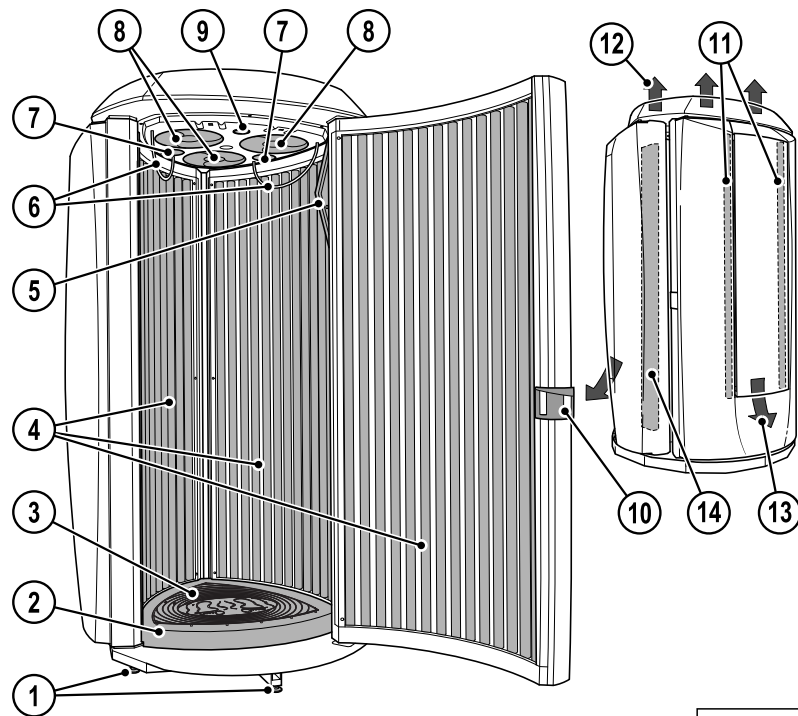
- Beauty Angel device
- Technical documentation (Printed documentation and Operation Instructions CD)
- Beauty Angel lamps
- Ambient light (Effect lighting)
- VibraShape
- Allen key
- Connecting lead
- 3D sound

3.2 Equipment

In this description, all components and functions are taken into account which must be observed during operation and/or when performing maintenance.

The control panel also differs according to the options setup
Only those options setup are visible that can be operated, i.e. the studio sound option is not available if studio sound has not been setup/enabled.

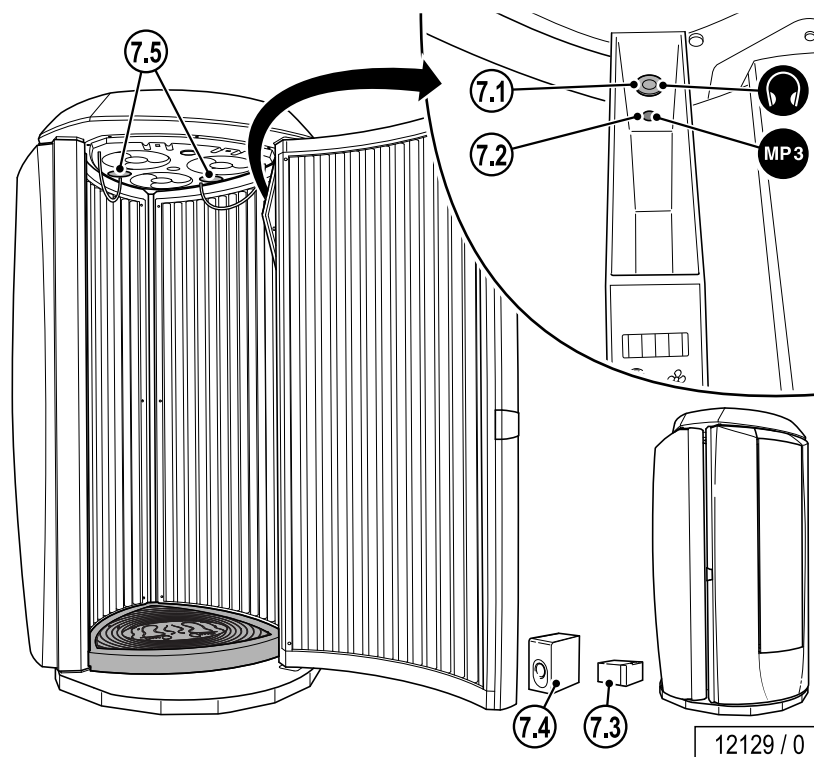
3.3 Device description



10592 / 1

1. Adjustable feet
2. Base plate
3. Foot mat (silicone) and vibration plate (VibraShape)
4. Beauty Angel lamps
5. Control panel, headphone connection
6. Handles
7. Loudspeaker (optional)
8. Fans (body cooling)
9. Interior lighting (LED)
10. Door handle
11. Accent lighting
12. Exhaust air (body cooling)
13. Exhaust air (equipment cooling)
14. Cable duct and ambient light (accent lighting)

3.4 Accessories (optional)



3D sound

7 Audio system with Voice Guide

7.1 Headphone connection

7.2 MP3-connection

7.3 Sound Box

7.4 Subwoofer

7.5 Loudspeakers

MP3 cable (not pictured)

3.5 Function description

See page 25 for information on control and operation of the Light Energy device and its features.





3.7 VibraShape

You may choose from four (4) different programs, each offering varying levels of targeted muscle stimulation, exercise and massage intensity. The body immediately responds to the patented, pre-programmed movement of the platform. Muscles automatically flex and relax as the Vibra-Shape technology stimulates muscle activity.

NOTE: Voice-guide technology walks the customer through the available options and informs the user of changes in intensity throughout the session.

Users can combine the light treatment and the vibration program as desired.

3.8 Description: vibration programs

Program ¹⁾		Duration	Description
Pr 1		10 Minutes	Wellness (low intensity): Loosens and relaxes muscles, improves flexibility, and enhances well-being with gentle movements at low vibration frequency.
Pr 2		10 Minutes	New You: For beginners and ideal for those starting a fitness regimen. Utilizes medium frequency vibration and massage therapy technology. Improves muscle tone gradually with controlled, alternating movements.
Pr 3		10 Minutes	Cross-Training: Intense vibration therapy uses high frequency interval training. A balanced program that strengthens muscles with powerful movements. Improves muscle tone with controlled, alternating movements..
Pr 4		10 Minutes	Multi-Level. Mixed frequency cycles target muscle groups in the legs, buttocks and abdomen to help temporarily improve skin's appearance as it tones and tightens muscles.

¹⁾ Voice-guide technology walks the customer through the available options and informs the user of each program and its benefits.

4 Operation

4.1 Safety information for the user

DANGER!



Danger of hearing damage!

Using earphones or headphones at high volume can result in permanent hearing damage.

- Do not set the volume too high.
-

4.1.1 Light Emitting device



NOTE:

Extending the specified application times is not permitted.

A period of no less than 24 hours is recommended between each 12 minute treatment.

The following people are not allowed to use the equipment:

- Pregnant women
 - People younger than 18 should have parental permission.
 - People with epilepsy
 - People with illnesses which cause light sensitivity or are aggravated by light.
 - Although this device emits no UV, persons who take medication or herbal remedies which cause light sensitivity (e.g. antibiotics, anti-inflammatory agents, antifungal agents or St. Johns wort).
- **Seek medical advice before use if in doubt!**

A light treatment is not recommended in the following circumstances:

- If you have utilized an oxygen facial pack in the last 24 hours,
- If your facial skin has been electronically tightened in the last 24 hours
- If your skin has been chemically treated within 24 hours
- If you have received a facial injection in the last 24 hours.
- If your skin has been burned (by UV, by chemicals, or by heat).

Behavior before, during and after a light application:

- No other persons are permitted in the vicinity of the cabin when using the device, this especially applies to children.
- Remove all jewelry (including piercings) prior to the application.
- For best results, remove cosmetics before using the device
- We recommend wearing eye protection during the application for safety and comfort against the bright light.
- Always comply with the recommended application times.

4.1.2 VibraShape (Vibration plate)

Side effects

DANGER!**Risks of damage to health!**

Vibrations can cause or aggravate health problems. Consult physician prior to beginning any new fitness program or if you have any concerns. Vibrations can cause or aggravate health problems.

The following people are not allowed to use the equipment:

- Pregnant women
- People with DVT (Deep Vein Thrombosis)
- People with fresh wounds following an operation or surgery
- People with epilepsy
- People with acute illnesses / inflammations
- People with pacemakers
- People suffering from retinal detachment
- People with acute osteoporosis

People with the following illnesses may only use the device after consultation with their doctor:

- Cardiovascular diseases
- Hip and knee implants
- Severe diabetes
- Severe migraine attacks
- Tumors
- Gallstones or kidney stones
- Acute thrombosis
- Acute inflammation of the muscular-skeletal system
- New fractures to well-trained limbs
- New infections
- Acute hernia / inter-vertebral disc diseases / scoliosis
- Rheumatoid arthritis
- Arthritic or orthopedic conditions (joint diseases)

People with recently implanted intrauterine devices (contraceptive coils), metal pins, screws or plates are also only to use the device after consultation with their doctor.

Side effects

The use of the vibration plate may lead to the following side effects:

- Itching in regions of the body being trained
- Nausea and vertigo
- Rapid and brief drop in blood pressure

- Rapid hyperglycemia in the event of diabetes

Diabetics should always have dextrose and prescribed medications readily-available! The side effects of nausea, vertigo, drop in blood pressure and skin irritations are generally harmless. Older users should be especially warned about the possibility of vertigo and a sudden drop in blood pressure. People who have skin injuries such as blisters or wounds on the soles of their feet are not allowed to use the vibration plate.

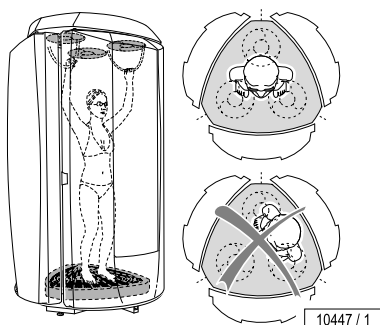
4.2 Application times

Applications per week	Moderate Schedule	Intensive Schedule
	[Number]	[Number]
1. Week	2	3
2. Week	2	3
3. Week	2	3
4. Week	2	3
5. Week	2	3
6. Week	2	3
7. Week	2	3
8. Week	2	3
9. Week	2	3
10. Week	2	3
11. Week	2	3
12. Week	2	3
After treatment:	1-2 x per week	

4.3 Application tips

Beauty Angel device

- Stand up straight and in the center of the device during the application.
- Bend knees slightly.
- Use overhead straps for support and to increase muscle tension.



10447 / 1

VibraShape

DANGER!



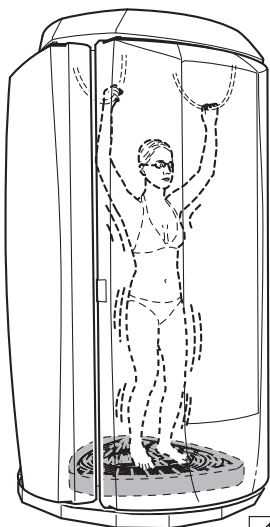
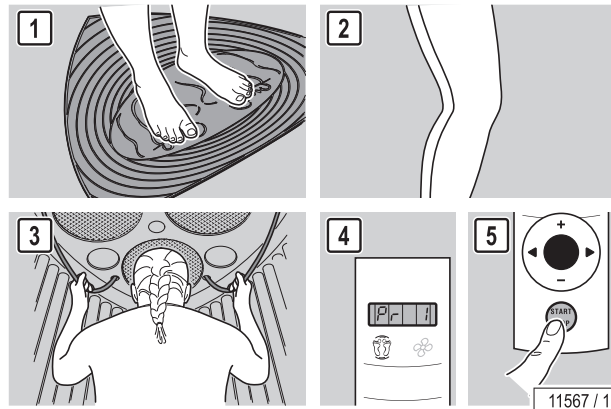
Risk of injury!

The vibration function is not suitable for all users.
– Please observe the restrictions on page 18.



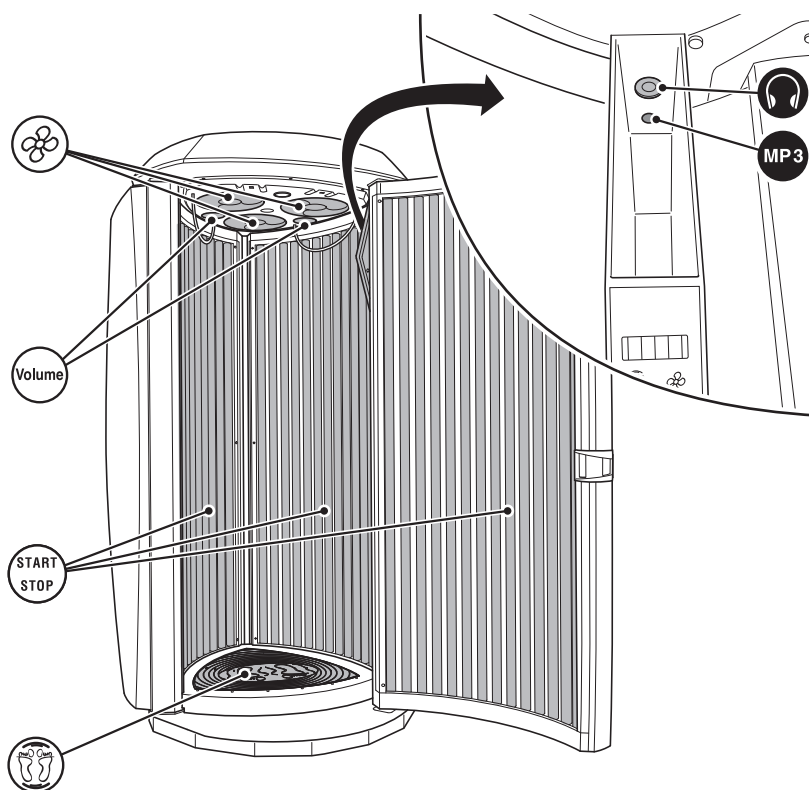
NOTE:

Each 12 minute program starts with a warm-up phase and ends with a cooling-down phase. A vibration program normally lasts for 10 minutes of the 12 minute session. The lamps will remain illuminated for the entire 12 minute session. Voice guide prompts will inform you at the start and end of the vibrashape session.

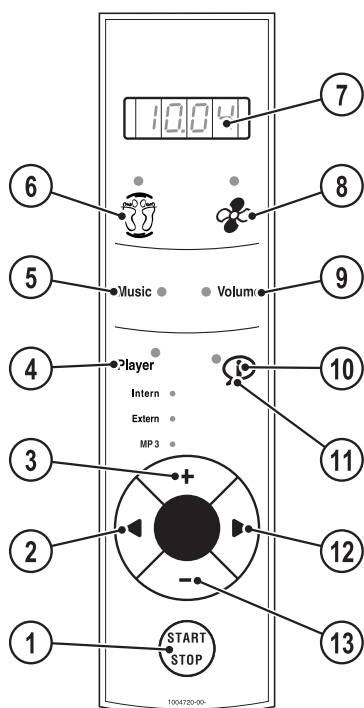


- Place your feet on the footmarks (1).
- Bend knees slightly (2).
- If desired, you can hold onto the hand straps for safety and added muscle tension and support (3).
- Select Program 1 as the first application to test your reaction to the vibration (4).
- Press the START/STOP button (5) to stop the vibration plate if it is causing discomfort or vertigo.

4.4 Operating overview



12130 / 0

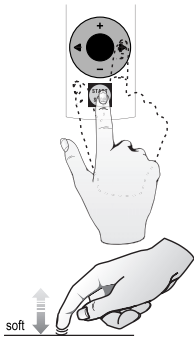


12131 / 0

1. START/STOP button
2. Left navigation arrow button
3. Plus button
4. Audio system icon
5. Music icon
6. VibraShape icon
7. Display – Functions ...
8. Body cooling icon
9. Volume icon
10. Voice Guide icon
11. INFO icon
12. Right navigation arrow button
13. Minus button

4.4.1 Navigation

The device is operated with the navigation ring.



10958 / 0

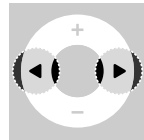


Switch on lamps:

- Press the button once.

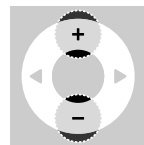
Switch off lamps/interrupt application:

- Hold the button.



Select device function (go to pictogram)

MUSIC e.g. MUSIC


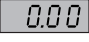


Select sub-function (if available)

Change setting





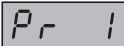

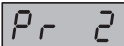

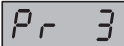

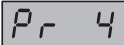



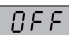


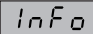
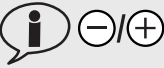





The LED indicator for the available functions and the navigation ring are illuminated in default mode after starting up the device. After selecting a function, the respective LED indicator and the navigation ring flash for a few seconds. Settings can be changed during this time.

Operation – Demonstration mode

–  press until 

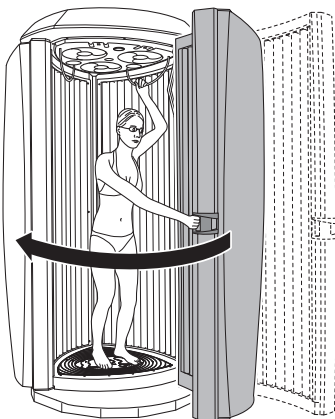
The audio functions and VibraShape can be tested in demonstration mode. You have 30 seconds in which to select the function.

4.5 Functions

Function	Button sequence	Description	Information
1. Lamps		START/STOP Switch lamps on/off during the application (in combination with VibraShape: see below).	If the lamps are switched off during the application, the application time continues to run.
2. VibraShape		Select VibraShape	
		<ul style="list-style-type: none"> Press the button once: Vibration plate will be switched off Hold the button: Vibration plate and lamps will be switched off 	START/STOP also switches off the lamps.
		 Program 1	
		 Program 2	
		 Program 3	
		 Program 4	
3. Body cooling		Body cooling control 	
4. Voice Guide		Switch VoiceGuide off: 	Voice Guide provides an acoustic aid when running the unit and only works in conjunction with 3D sound. Voice Guide is switched on by default when getting ready for operation and during application.
		Switch VoiceGuide on	
5. INFO		Switch INFO on: 	General information about the device.
		Select INFO text	
		Switch INFO off – hold the button	
6. Volume		Volume control	
		Tone off – press button  until displayed 	

Function	Button sequence	Description	Information
7. Audio system	◀/▶ Player ⊖/⊕	Selecting the audio system (channel)	
	Player ⊖/⊕ Intern •	1-CH Internal: Music SD card	
	1-CH Intern • ▶/◀ Music ⊖/⊕	Select title Tr.01 - Tr.99	
	Player ⊖/⊕ Extern •	E-CH External: Externally connected systems, e.g. CD player	
	E-CH Extern • ▶/◀ Music ⊖/⊕	Select channel CH.01 - CH.16 (maximum)	Refer to 'Presettings' Guide on Operating Instructions CD.
	Player ⊖/⊕ MP3 •	-P3- MP3 player	
8. Accent lighting running time			Refer to 'Presettings' Guide on Operating Instructions CD.

4.6 Start



10591 / 2

- Close the door.
- Press the START/STOP button.

Upon starting the following functions are switched on:

- Lamps
- Body cooling
- Audio system

4.7 Connect MP3 player

DANGER!



Danger of hearing damage!

Using earphones or headphones at high volume can result in permanent hearing damage.

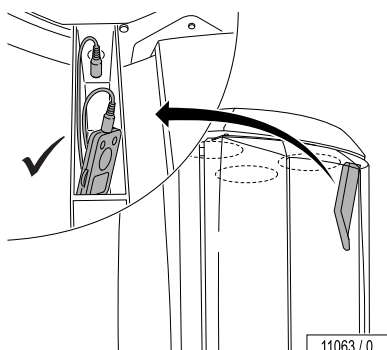
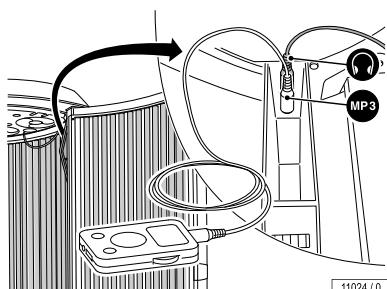
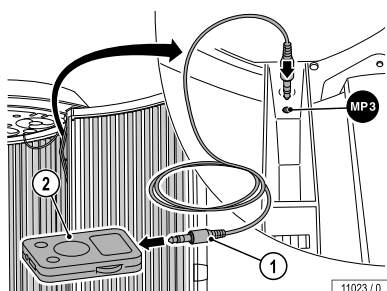
- Do not set the volume too high.

Users may connect MP3 players to the light energy device.

1. MP3 connection cable is provided by the studio operator (1.5 m / 2 x 3.5 mm stereo jack plug).
2. MP3 player: see the documentation from the manufacturer of the MP3 player.

Connect:

- Plug the MP3 cable (stereo jack plug) into the Audio system.
- Plug the MP3 cable into the MP3 player.
- Select the music title and start.



WARNING!

Heat damage to the MP3 player is possible

- Only place the MP3 player in the designated area.

Cable may break-off, cable jacks may be damaged!

- Do not pull on the cable when unplugging the MP3 player.

5 Cleaning and maintenance

5.1 Safety information for cleaning and maintenance

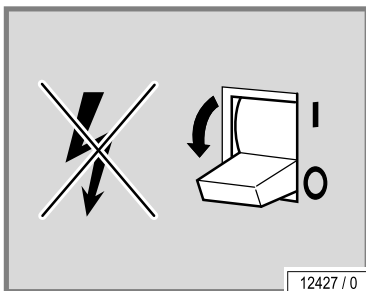
DANGER!



Electricity throughout entire device

Personnel danger due to electric shock or electric burns.

- Before beginning work disconnect all of the power connections from main voltage.
- Secure all of the disconnected connections against accidental reactivation.
- Check that the device is disconnected from main voltage.
- All of the work and electrical connections must comply with the national regulations of the country in which the device is being operated (e.g. the VDE regulations in Germany) and must be performed by appropriately trained specialists.



12427 / 0

If work is to be performed on the devices, they must be de-energized. That means that all live cables must be switched off.

Switching off the device alone is insufficient, as certain points may remain energized. Switch off fuses or breakers before performing any work and – if possible – remove them.

Accidental reactivation can result in serious accidents. Immediately after de-energizing, secure all switches or fuses used for de-energizing against being switched on again.

- Lock the fuse box with a padlock.

In case of circuit breakers which cannot be unscrewed, a strip of adhesive tape may be applied over the actuation lever with the wording 'Do not switch, danger!'.

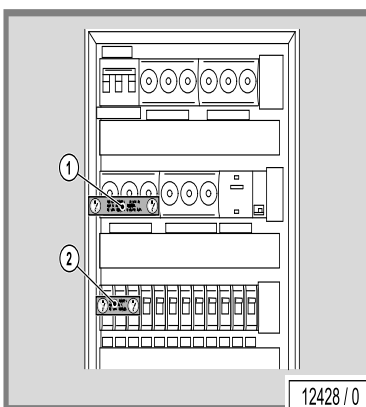
A warning sign with the text:

'Work in progress!'

'Place:'

'Sign may only be removed by:'

must be prominently and securely mounted prior to beginning any service.



12428 / 0

5.2 Faults

Error codes are output to the display to simplify troubleshooting:

- If a fault occurs, the error code flashes on the display.
- If several errors occur, the error messages are displayed alternately.
- Error elimination is acknowledged by pressing the **START/STOP** button.
- If the error cannot be cleared, inform Customer Service - see page 2.

More detailed information regarding the error description and solutions is available in 'Error Codes'

5.3 Cleaning

DANGER!



Infections can be spread by skin contact!

All objects/device parts, which can come into contact with the user during the application, must be disinfected after every application:

- Handles and control panel
- Protective goggles
- MP3 cable
- Acrylic glass panels
- Foot mat (Silicone)

5.3.1 Disinfection

We recommend the following cleaning agents for rapid and thorough disinfection:

Lucasol® concentrate, 250 ml	Order-no.:	...
Spray bottle, 1 ltr. (empty)	Order-no.:	...
Spray nozzle	Order-no.:	...
Mixing container, 5 ltr. (empty)	Order-no.:	...



NOTE:

For thorough disinfection, the application time must be adhered to. Follow the manufacturer's instructions for use.

5.3.2 Cleaning the surfaces

Acrylic glass panel

WARNING!



Do not rub with a dry cloth – danger of scratching!

Failure to comply voids any warranty claims.

- For fast, hygienic proper cleaning of acrylic glass surfaces, use specially developed disinfectant cleaner Lucasol®.
- Other cleaning agents, especially concentrated disinfectants or solvents (e.g. Lysoform, ethyl alcohol or other liquids containing alcohol) should never be used for cleaning.

Plastic surfaces

For cleaning the remaining painted and unpainted plastic surfaces, it is best to simply use warm water and a cloth. Never use aggressive cleaning agents containing alcohol or essential oils. These may lead to damages not covered by the warranty.

Prevent damage to the acrylic glass and plastic surfaces by removing rings, watches, bracelets etc. before starting cleaning work.

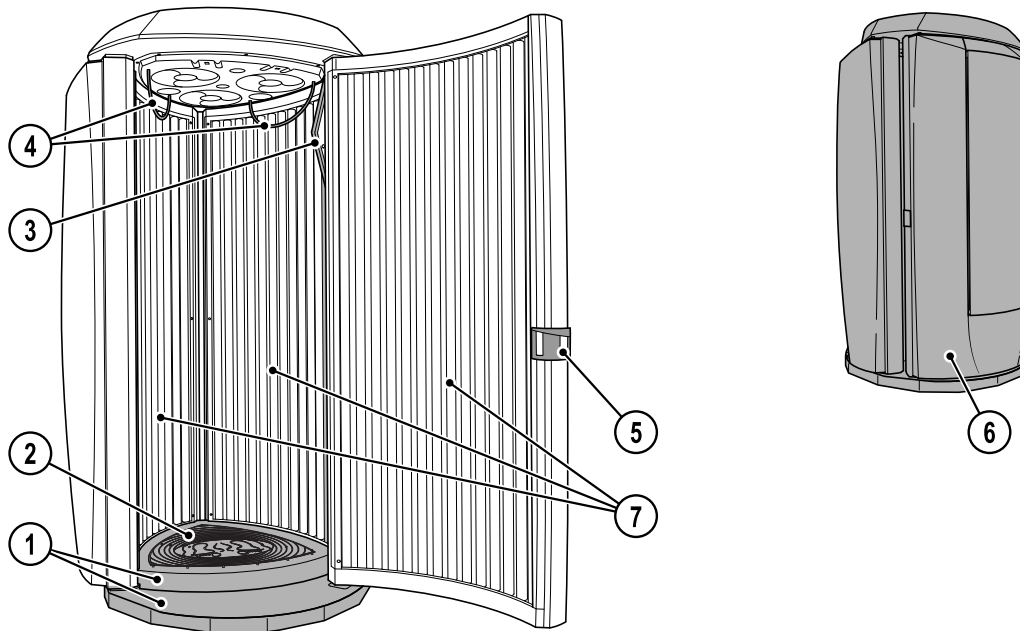


02756 / 0

5.3.3 Lamps

The lamps can be cleaned with a damp cloth and without additional cleaning agents where necessary.

5.4 Cleaning plan



12149 / 0

Component	Interval	Activity	See page
	After each application	When necessary	
1 Entry area	X	Cleaning and disinfection	28
2 Foot mat (Silicone)	X	Cleaning and disinfection	28
3 Control panel	X	Cleaning and disinfection	28
4/5 Handle	X	Cleaning and disinfection	28
Protective goggles	X	Cleaning and disinfection	28
MP3 cable	X	Cleaning and disinfection	28
6 Surfaces		X Cleaning and disinfection	29
7 Acrylic panels		X Cleaning and disinfection	29



NOTE:

If desired, cleaning must be confirmed after each application by pressing the START/STOP button (when the warm-down time for the main fan has finished).

5.5 Maintenance

Maintenance and care play a major role in deciding whether the device meets the requirements placed on it. Compliance with the specified maintenance schedule and the regular maintenance are absolutely necessary.

The current operating hours of maintenance parts can be viewed in service mode.

The device must be subjected to regular inspections by JK Products & Services representative or an approved dealer/distributor company every 12 months (from installation) to maintain its proper condition!

5.5.1 Acrylic panel

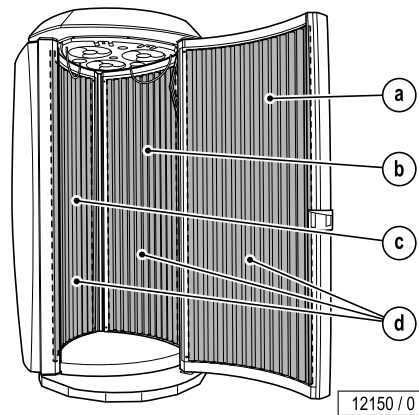
Over the course of time the acrylic glass panels become less translucent as a result of usage and must be replaced on regular basis.

5.6 Maintenance plan

WARNING!



Only use genuine **spare parts** of the same type! If other parts are used then the device no longer complies with the conformity declaration and may not be operated any longer! Any liability for damage or injury proven to be the result of the use of non-genuine spare parts is excluded.



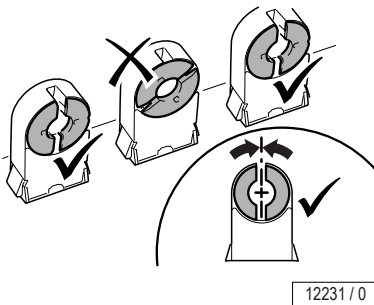
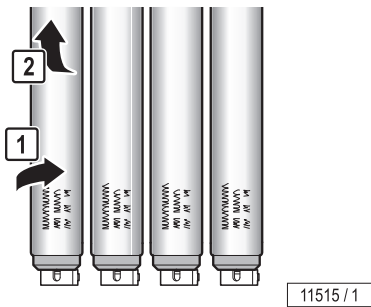
Component	Interval			Activity
	1000 h	1500 h	3000 h	
a Lamps door		X		Replace
b Lamps sidewall		X		Replace
c Lamps sidewall		X		Replace
a, b, c Starter		X		Replace
d Acrylic panels			X	Replace

5.7 Instructions for replacing the lamps

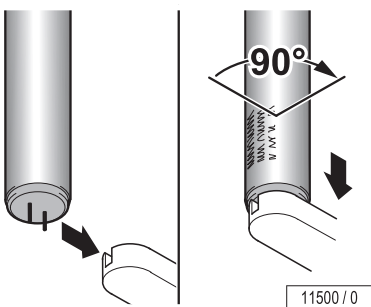
The lamp output decreases over the course of time. As such, the replacement intervals specified in the maintenance plan must be adhered to.

5.7.1 Beauty Angel lamps

- Never replace with UV lamps of any type!
 - Replace faulty lamps immediately.
 - Always replace the entire set of lamps after the specified operating time.
 - Call 1.800.787.6971 to order replacement lamps or with any questions.
- Turn 90° and carefully remove from the socket.



- Push the pins vertically into the socket from above.



- Turn the lamp 90°.
The lettering must be oriented towards the outside (i.e. towards the user).

5.7.2 Starter

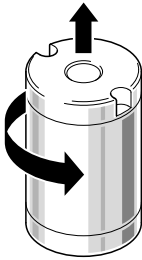
- Replace faulty starters immediately.

You can recognize a faulty starter by the blackened ends of the lamps or when the lamps can no longer be started.

Operating a lamp with a faulty starter significantly shortens its service life. The lamp loses power and may begin to flicker under certain circumstances.

The starters are located in either one of the two lamp sockets or are visible when the lamps are removed.

- Turn 90° and carefully remove from the socket.



05584 / 0

5.8 Clean or replace lamps in the door

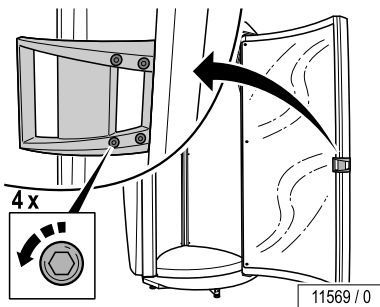
WARNING!



Acrylic panels may be damaged!

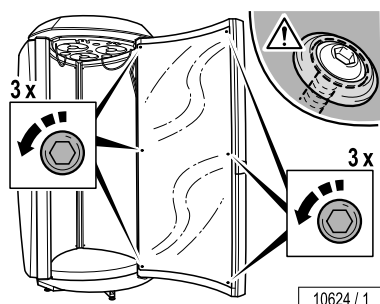
Residue on the panels, combined with the heat generated by the lamps can result in long term damage to panels.

- Clean thoroughly between each use.



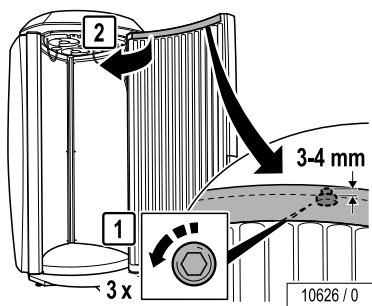
Door handle:

- Remove the screws and remove door handle.



Acrylic glass panel:

- Remove the screws.
- Remove the acrylic panel and carefully lay it aside.

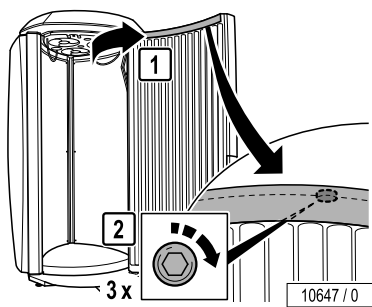


Upper lamp cover:

- Loosen screws 3-4 mm.
- Take off the lamp cover.

Replace the lamps: See page 34.

Replace the starter: See page 35.



The assembly is the same process in reverse order.

5.9 Clean or replace lamps on the side panels

WARNING!



Acrylic panels may be damaged!

Residue on the panels, combined with the heat generated by the lamps can result in long term damage to panels.

- Clean thoroughly between each use.

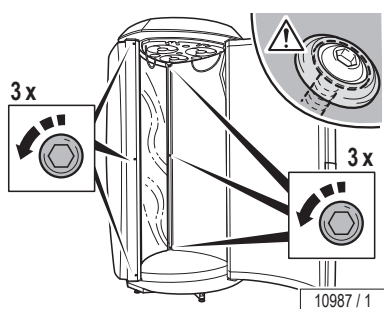


NOTE:

There is a risk of damage being caused to the acrylic panels and the cockpit control and the side walls!

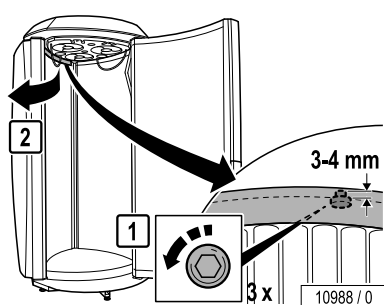
Observe the order: First remove the acrylic cover on the **left** and then the one on the right.

Do not rub the right acrylic panel against the cockpit control when removing it.



First remove the left acrylic panel:

- Remove the screws.
- Remove the acrylic panel and carefully lay it aside.

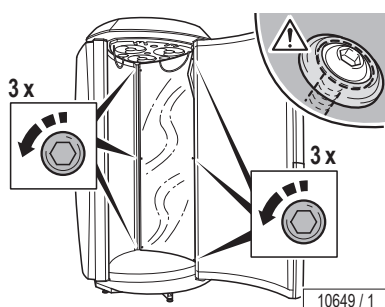


Upper lamp cover:

- Loosen screws 3-4 mm.
- Take off the lamp cover.

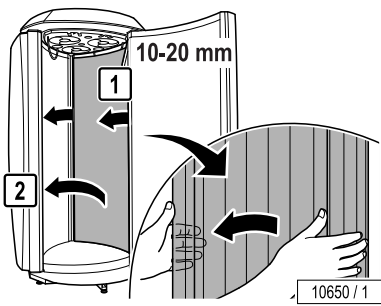
Replace the lamps: See page 34.

Replace the starter: See page 35.

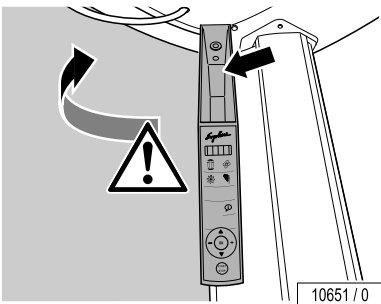


Right acrylic glass panel:

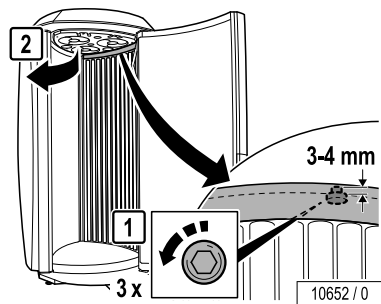
- Remove the screws.



- The panel must be taken out past the cockpit control. Ensure that you do not scratch the panel.



- Carefully pull the panel past the back of the cockpit control and remove to the left.



Upper lamp cover:

- Loosen screws 3-4 mm.
- Take off the lamp cover.

Replace the lamps: See page 34.

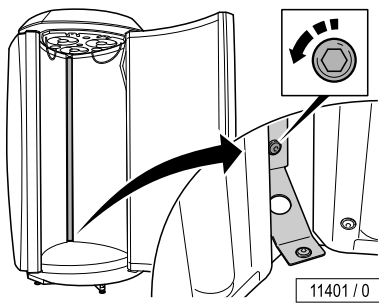
Replace the starter: See page 35.

The assembly is the same process in reverse order.

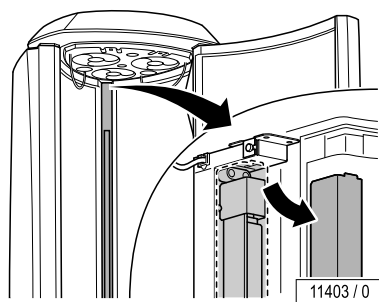
When assembling the device please note:

- Always replace the right acrylic panel first.

5.10 Clean or Replace Ambient Light



- Remove the screws.



- Remove the lamp cover.

Replace the lamps: See page 34.

Replace the starter: See page 35.

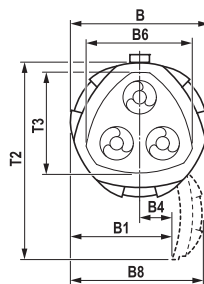
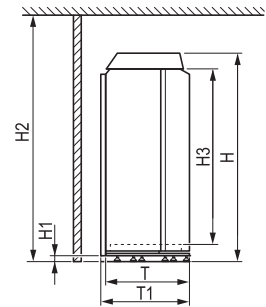
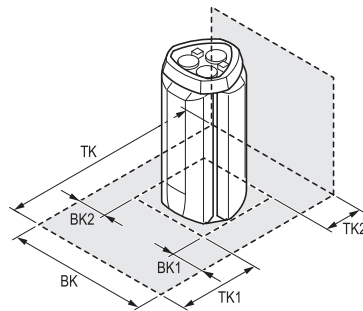
The assembly is the same process in reverse order.

6 Technical data

6.1 Power rating, electrical specifications and noise level

BEAUTY ANGEL	
Nominal power consumption:	8700 W
Rated frequency:	60 Hz
Rated voltage:	230 V
Rated fuses:	30 Amp 3-Pole or 50 Amp 2-Pole
Connecting lead:	
Noise level at 1 m distance from the device:	71,6 dB(A)
Noise level in device:	<81 dB(A)
Load on the base plate:	max. 300 lbs
Weight:	695 lbs

6.2 Dimensions



12246 / 0

B =	55 in.
B1 =	35 in.
B4 =	7 in.
B6 =	34 in.
B8 =	54 in.
T =	51 in.
T1 =	55 in.
T2 =	73 in.
T3 =	34 in.
H =	92 in.
H1 =	3 in.
H2 =	102 in.
H3 =	80 in.
BK =	95 in.
BK1 =	20 in.
BK2 =	20 in.
TK =	102 in.
TK1 =	35 in.
TK2 =	12 in.

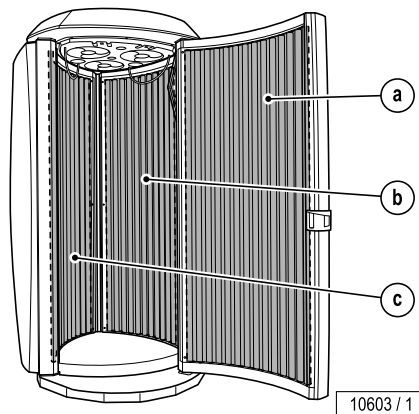
6.3 Lamp sets

WARNING!



USE ONLY the specified Beauty Angel NON-UV lamps! The conformity declaration and the ETL Intertek test mark only apply for the specified lamps. The mark is voided if other lamps are used. **Use of UV lamps in this device is a violation of 21 CFR 1040, FDA.**

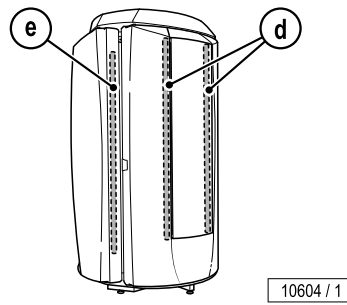
6.3.1 BEAUTY ANGEL



Lamp set

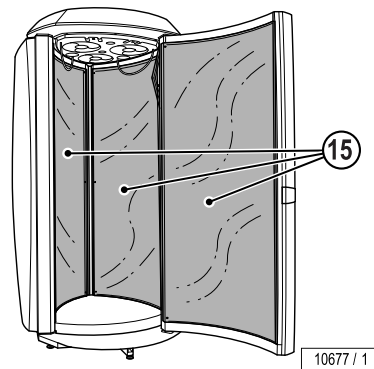
	Number	Description	Length	Order-no.
a)	10	BEAUTY ANGEL BEAUTY LIGHT FR2.0M-T12-RL-180W	1.80 m	3031109501
	10	Starter Philips BodyTone 120-180W		1503321-00
b)	10	BEAUTY ANGEL BEAUTY LIGHT FR2.0M-T12-RL-180W	1.80 m	3031109501
	10	Starter Philips BodyTone 120-180W		1503321-00
c)	10	BEAUTY ANGEL BEAUTY LIGHT FR2.0M-T12-RL-180W	1.80 m	3031109501
	10	Starter Philips BodyTone 120-180W		1503321-00

6.3.2 Accent lighting



	Number	Description	Power	Order-no.
d)	2	Low pressure lamps blue	58 W	12063-..
	2	Starter S10		10047-..
e)	1	Low pressure lamp blue	58 W	12063-..
	1	Starter S10		10047-..

6.4 Spare parts and accessories

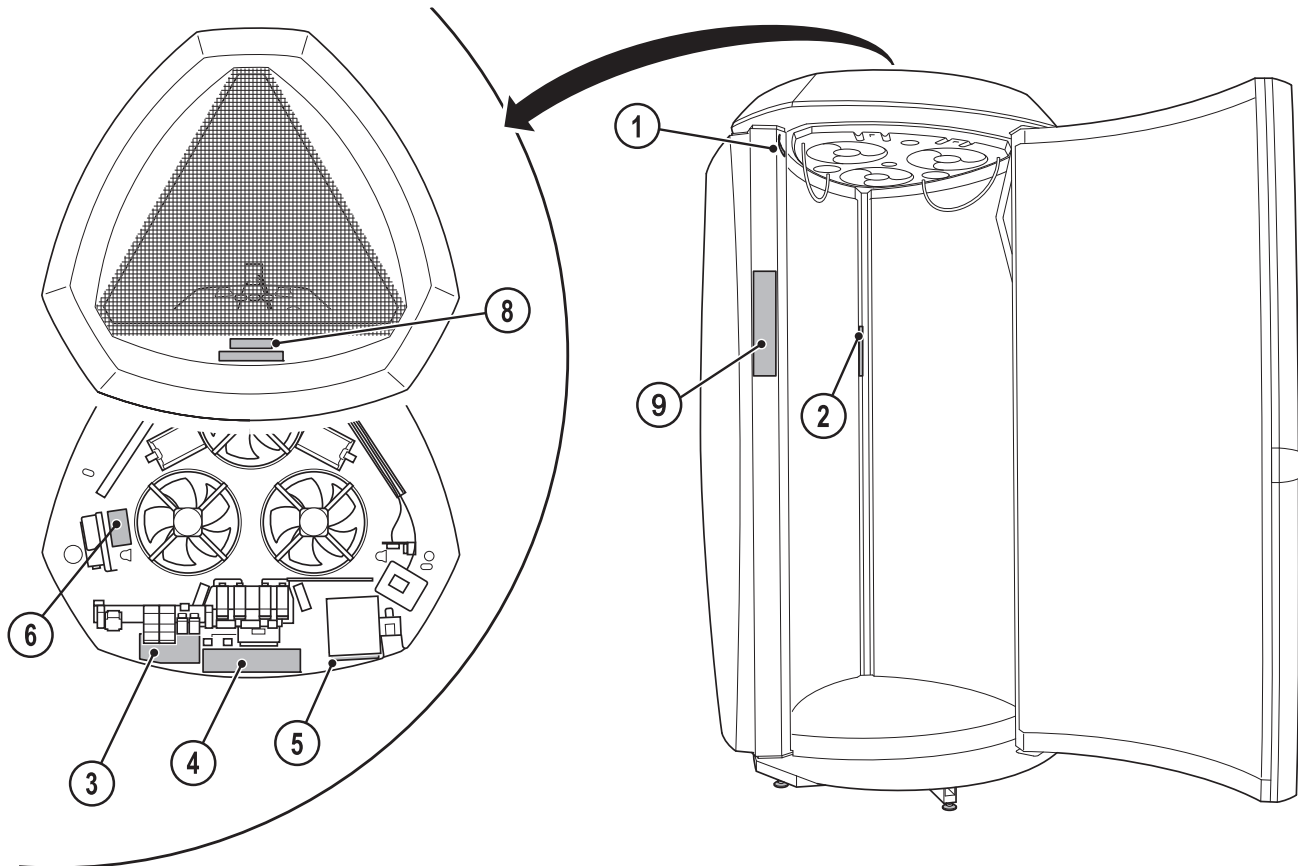


	Number	Description	Order-no.
15	3	Acrylic panels	0041013201

7 Appendix

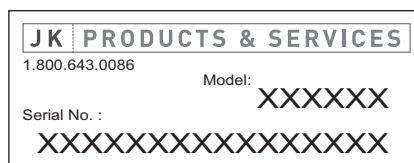
7.1 Signs and stickers on the device

Signs warning of danger areas are attached to the device. The signs shown below are examples. Ensure that the instruction signs are always clearly recognizable and easily legible.



12156 / 1

1: Serial Number



2: Name Plate / ETL Information

JK Products and Services, Inc. #1 Walter Kratz Dr. Jonesboro, AR 72401 1.800.643.0086  ETL RECOGNIZED MEDICAL CLASS 1 ELECTRICAL EQUIPMENT Intertek <small>37925</small> INTERTEK TESTING SERVICES NA INC. CORTLAND, NEW YORK, 13045	MODEL NO. <h1 style="margin: 0;">COL30L</h1> SERIAL NO. <h1 style="margin: 0;">XXXXXXXXXX</h1>
---	---

DATE MANUFACTURED	A/C VOLTS	A/C LAMPS
XXXXXXXXXX	60Hz 230V 1Ø	40A
	60Hz 230V 3Ø	24A

THIS PRODUCT IS IN CONFORMITY WITH PERFORMANCE STANDARDS FOR MEDICAL ELECTRICAL EQUIPMENT UNDER UL 60601-1 AND CSA C22.2 NO. 601.1-M90.
 INTERMITTENT USE: 12 MINUTES ON, 2 MINUTES OFF
CAUTION READ OWNERS MANUAL BEFORE INSTALLING. FOLLOW ALL MANUFACTURER INSTRUCTIONS COMPLETELY AND CAREFULLY. OBSERVE AND FOLLOW ALL CAUTION WARNINGS. INSTALLATION SHOULD ONLY BE COMPLETED BY A QUALIFIED ELECTRICIAN.

The nameplate is located on the edge of the left panel in the space between it and the adjacent panel. It contains important information for identifying the device (e. g. the serial number = Serial-No.).

3: Configuration of electronic components label (1502978-..)

The label is located on the lid below the cover.

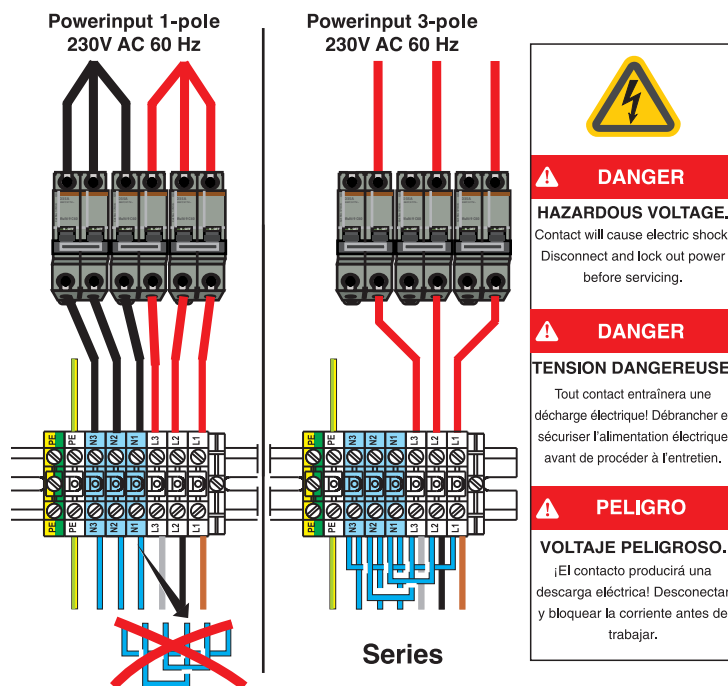
4: Controls label (1502983-..)

The label is located on the lid below the cover.

5: ESD (Electrostatic discharge) label - sensitive components (85662-..)

The label is located beneath the PCB.

6: USA mains connection label (1504659-..)




8: 'Not disconnected from power supply' warning label (800698-..)

The label is located on the cover.

9: Exposure Label

Label is located on the outside edge of the left panel.



**NOTICE: THIS SYSTEM DOES NOT
EMIT ULTRA-VIOLET
LIGHT.**

This system emits bright light in the 580 – 700 nanometer range. Protective eye wear such as sunglasses or other light reducing eye wear is recommended for people who are sensitive to bright light.

People using medications or cosmetics that may react when exposed to bright light should consult with their physician or pharmacist prior to using this system.

The following people should not use this system:

- Pregnant women
- People with epilepsy
- People under the age of 18
- People with limited / reduced mental capacity
- People with limited / reduced physical or sensory capabilities
- People who are easily disoriented or who experience vertigo

The following people should limit use and consult with a physician prior to use:

- If your skin has been chemically treated in the past 48 hours.
- If your skin has been burned by chemicals, UV-light, fire, etc.
- If you have had any type of invasive surgical procedure in the past 48 hours.

Discontinue use and consult with a physician if you experience:

- Symptoms of vertigo
- Prolonged disorientation
- Seizures
- Vision Impairments lasting for longer than 24 hours

or any other undesirable reactions.

RECOMMENDED USER SCHEDULE
SESSION LENGTH : 12
PROGRAM PERIOD : 90 DAYS
WEEKLY SESSIONS : 2-3
SUBSEQUENT WEEKLY TREATMENTS : 1-2

MAXIMUM SESSION TIME: 12 MINUTES

0051010001

WARNING!

0071106701
REV. 7 02062012

This device is designed for use with NON-UV emitting lamps only!

Use of UV lamps, or any lamps other than those specified for use in this device, may cause serious injury and is considered a violation of FDA regulations including:

Code of Federal Regulations Title 21 CFR1040
TITLE 21--FOOD AND DRUGS
CHAPTER I--FOOD AND DRUG ADMINISTRATION
DEPARTMENT OF HEALTH AND HUMAN SERVICES
SUBCHAPTER J--RADIOLOGICAL HEALTH PART 1040
PERFORMANCE STANDARDS FOR LIGHT-EMITTING PRODUCTS

Violation of this code may subject the violator(s) to litigation, fines, and possible imprisonment, etc.

Furthermore, adulterating this device in any way (including relabeling or using UV lamps etc.) will void the ETL listing of the device. Such action will cause the device to be considered out of compliance with federal, state, and local regulations.

If you have any questions regarding lamp replacement procedures, proper use, etc please contact the manufacturer directly at 1-800-643-0086.

Because all physical activity can be strenuous and subject users to risk, all users are urged to consult with physician prior to usage if there are any concerns or questions associated with the use of this device.

Business / device operator should provide a live explanation of the system to all users prior to actual use. Please read all warnings and cautionary information contained within prior to using device.

*Statements regarding expected performance, etc have not been evaluated by the FDA (Food & Drug Administration). This product is not intended to treat, cure, prevent, or diagnose any disease or illness. The information provided is not a substitute for advice from a licensed physician or other healthcare professional



BEAUTY ANGEL

JK-PRODUCTS AND SERVICES, INC.

1 Walter Kratz Drive
Jonesboro, AR 72401
Phone: 800.643.0086 (Toll-free)
Fax: 870.935.3618
Internet: www.beautyangel.us
E-Mail: ergoline@sunergoline.com

